

# LK Connection Pipe M60n/VKF RF

## DESIGN

LK Connection Pipe M60n/VKF RF is used to connect LK Minishunt M60n to LK Manifold RF, in either left or right mounting to the manifold.

The connection pipe kit consists of a supply pipe and a return pipe, stainless steel dim 18x1 mm. Enclosed are two fittings dim 18x½" for connection to the minishunt and two fittings with adapter to dim 1" for connection to LK Manifold RF.

## MOUNTING

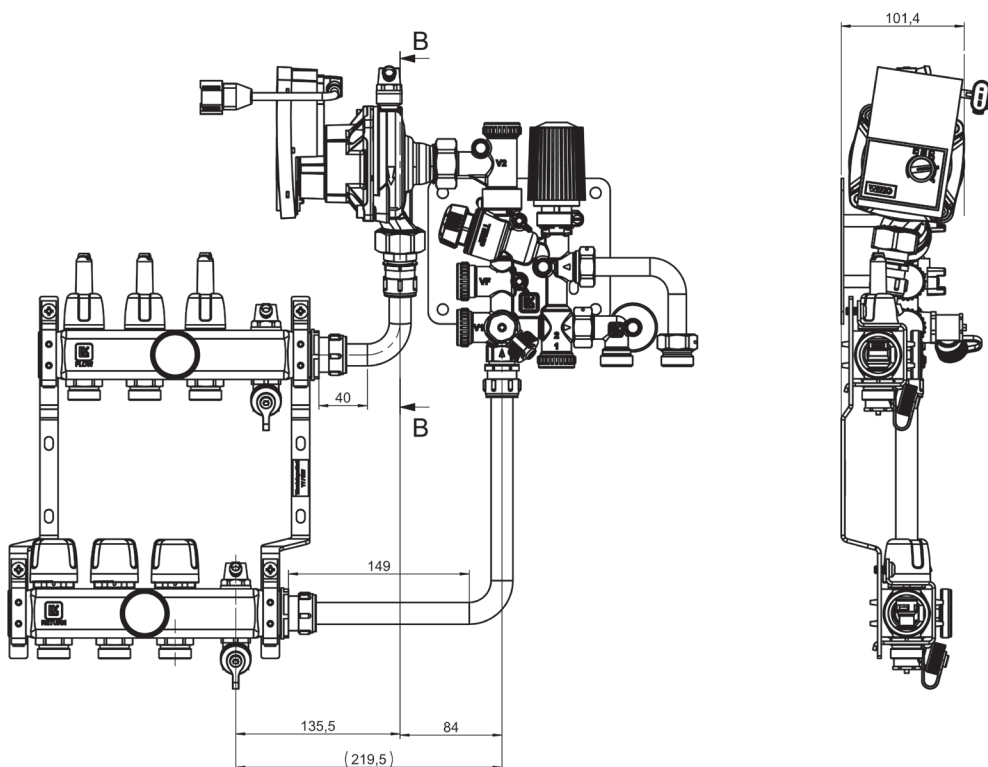
The connection kit is made to fit a right mounting of the minishunt to manifold RF as shown in the picture below. If left mounting is desired the minishunt is inverted and the longer connection pipes shank needs to be shortened by 50 mm. The now shortened end is connected to the return pipe of the manifold.

The pump must be tilted slightly, see pictures below.

### Right mounting of Minishunt M60n



*LK Connection Pipe M60n/VKF RF, article no. 243 52 30*



### Left mounting of Minishunt M60n

